

# batterX<sup>®</sup> home series

## GRID INDEPENDENT UPS ENERGY STORAGE

3000w single phase h3  
5000w single phase h5  
5000w single phase h5<sup>+</sup>  
10000w three-phase h10<sup>+</sup>



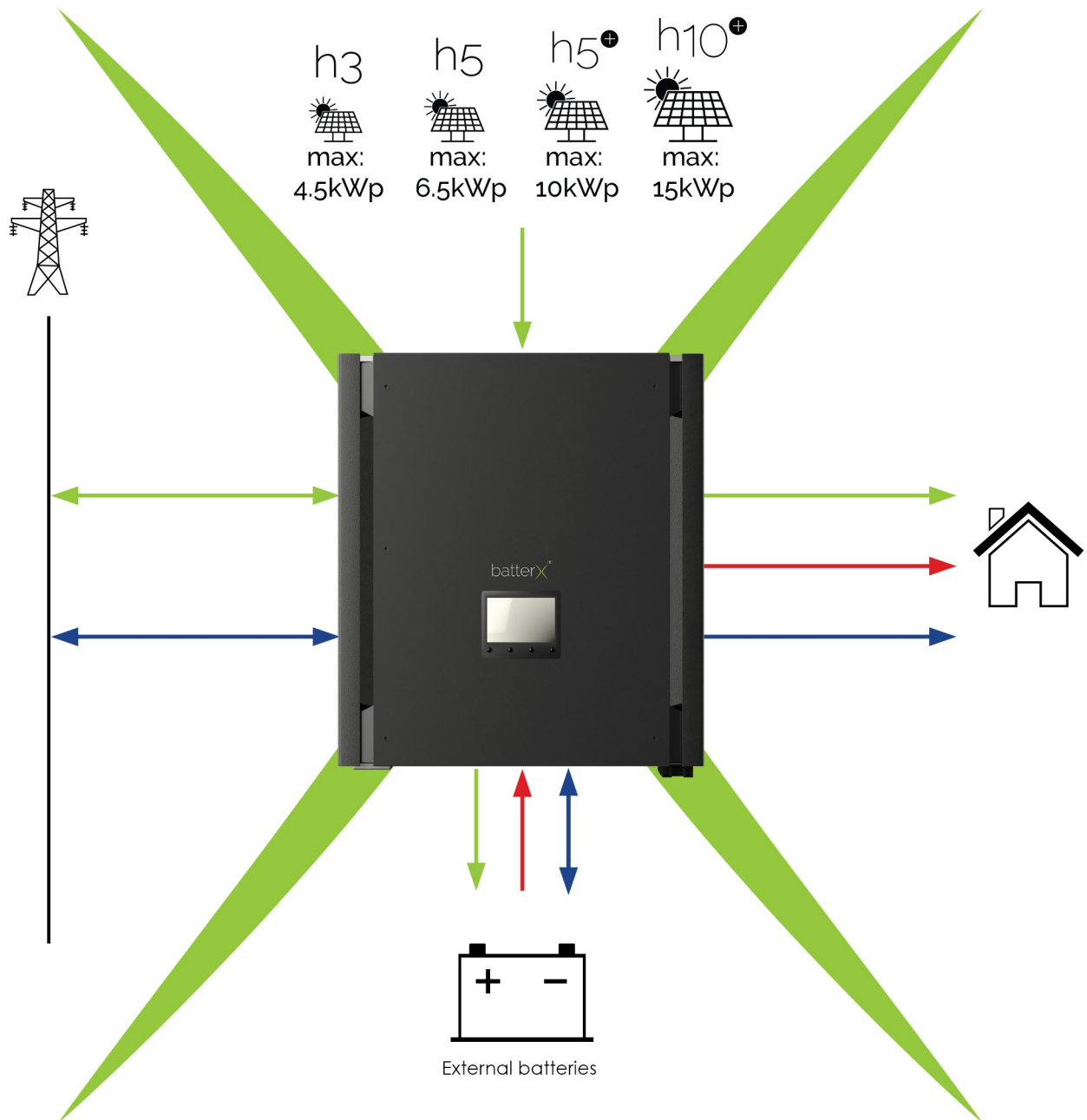
Solar energy (free)

Energy available at any time

Energy storage

Electric car

# WORKING PRINCIPLE



## HYBRID INVERTER

- 3/5kW single phase  
10kW three-phase
- Grid protection
- Programmable  
batteries charge  
(best price/kWh)

## ENERGY STORAGE

- Capacity 5 to  
50kWh
- Compatible with  
LiFePO and Lead  
batteries
- Programmable  
discharge  
parameters

## UPS PROTECTION

- Emergency power  
supply: 3/5/10kW
- Battery switching time  
<10msec (for PC and  
other sensitive  
equipment)
- With or without  
(offgrid) grid  
connection

# batterX<sup>®</sup> THE DIFFERENCE...

- FLEXIBILITY

Choosing the cheapest energy provider

- INDEPENDENCY

Use your energy when you want

- FREEDOM

No contract obligations

- ELECTRIC CARS



Perfect in combination with electric cars

- SCALABLE

Optimization and updates

- PHOTOVOLTAIC INSTALLATION

PV power bigger than inverter power (perfect for storage)

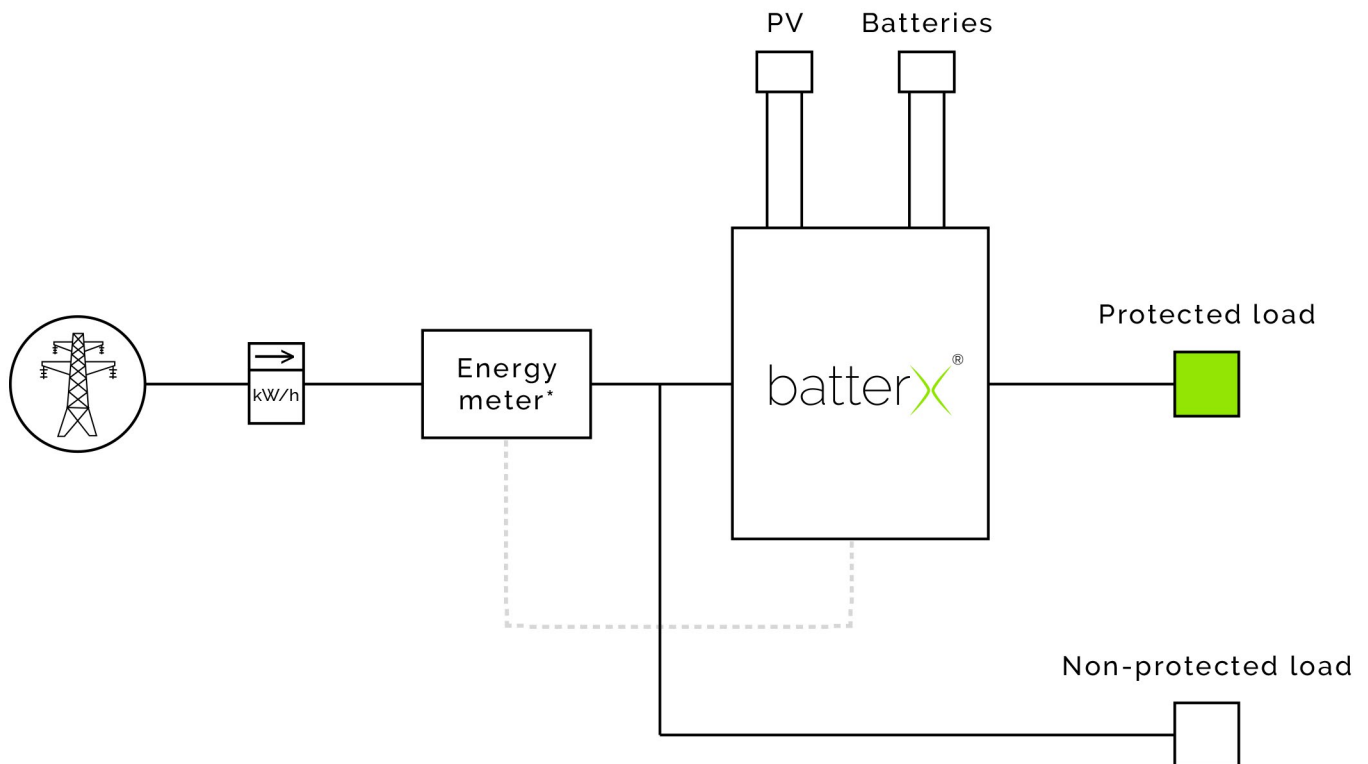
- SECURITY

Protection against power failures

- CHOICE

Several battery technologies are available

## TECHNICAL DRAWING



\*Energy meter OPTIONAL

# SPECIFICATIONS

	batterX h3 (1/1)	batterX h5 (1/1)	batterX h5+ (1/1)	batterX h10+ (3/3)
UPS Output power	3000W/<10msec	5000W/<10msec	5000W/<10msec	10000W/<10msec
Max PV power	4500W	6500W	10000W	14850W
On grid power	3000W	5000W	5000W	10000W
<b>PV input (DC)</b>				
Voltage range min/max	116Vdc / 500Vdc	116Vdc / 500Vdc	225Vdc / 900Vdc	320Vdc / 900Vdc
MPPT voltage min/max	250Vdc - 450Vdc	120Vdc - 150Vdc	250Vdc - 850Vdc	400Vdc - 800Vdc
Number of MPPT / current max	1/1 x 18A	2/2 x 13A	2/2 x 10A	2/2 x 18.6A
<b>Output (AC)</b>				
Nominal current	13A	23,9A	21A	14,5A per phase
<b>Efficiency</b>				
Efficiency (DC/AC)	96%			
Hybrid efficiency	93%			91%
<b>Input (AC)</b>				
Max current	30A	40A	40A	40A
<b>Battery and charger</b>				
Battery voltage	48Vdc			
<b>Specifications</b>				
Dimensions (DxWxH), mm	107x438x480	110x450x445	204x460x600	167,5x500x622
Weight, kg	15,5	16	29	45
<b>Interface</b>				
Communication	RS232 / USB	RS232 / USB	RS232 / USB / CAN-BUS	RS232 / USB / CAN -BUS
Intelligent slot	Modbus and AS-400 card (SNMP optional)			
<b>Standards</b>				
Quality	ISO9001 / CE			
Security	EN61000-6-1, EN61000-6-2, EN61000-6-3, EN61000-6-4, EN55022, EN61000-3-2, EN61000-3-3, EN61000-3-11 VDE0126-1-1, VDE AR N4105, EN50178, IEC62109, DK5940/ENEL 2011/CEI0-21, G83/59/EEG2012, AS3100/4777...etc.			
<b>Warranty</b>				
	5 years			

## APP & WEB



## h5<sup>+</sup> h10<sup>+</sup>

- In parallel up to 6 units
- Dry relay contacts
- EPO (Emergency Power Off)
- External temperature sensors connection
- Generator input 5+
- Generator relay contacts 10+
- PV on/off switch

Only available for h5+ and h10+